



Crossover series

With Plug-in Sensor

With plug in sensor and different function options such as PIR sensor, micro-wave sensor, daylight sensor, etc, our Crossover series UFO is the ideal solution to lower inventory, faster stock turnover, cost saver, and more options for end user. It not only lowers the purchasing cost, but also increases customers' competitive advantage.

CB CE



Plug-in Sensor

Plug in and play

With plug in sensor and different function options such as PIR sensor, micro-wave sensor, daylight sensor, etc, our Crossover series UFO is the ideal solution to lower inventory, faster stock turnover, cost saver, and more options for end user. It not only lowers the purchasing cost, but also increases customers' competitive advantage.



150
LM/W

Sosen driver and Philips led are used to reach 150lm/w

More Energy Saving

More energy saving lighting products are required strongly day by day. And customers pay more attention to the cost saving in a long term run now. Not only higher brightness is a key, but also smart control will save more energy automatically. Our Crossover UFO is the ideal solution to meet customers' need. 150lm/w brightness will save half energy than other competitors, and also the plug-in sensor option will save 40%-60% energy.



Crossover

VS

OTHERS

Manufacturer	unicornlite	others
Power	150w	200w
Brightness	22500lm	24000lm
Comssumption per month (6H/D, 20D/M)	18 kwh	24 kwh
Constant illuminance saving (day light and micro-wave sensor)	40%-60%	non
Electric charge	0.305\$/kwh	0.305\$/kwh
Device used	100pcs	100pcs
Electric charge per month	\$329.40	\$732.00
Electric charge in 5 years	\$19,764.00	\$43,920.00

More Flexible

It is not only a standard highbay but everything



Sensor Options

Micro-wave & Daylight

PIR & Daylight

Daylight Sensor

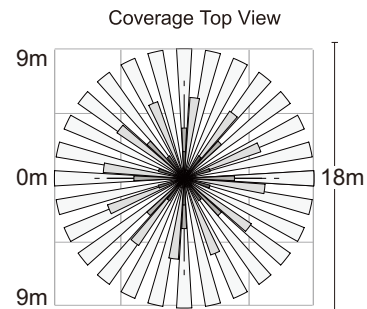
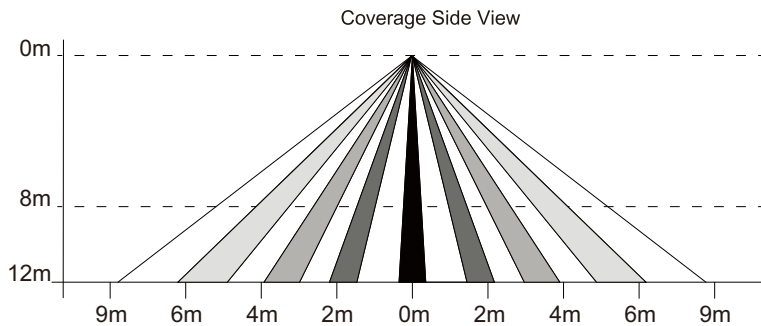


Easy=Money saving

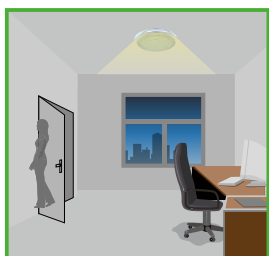
To compare with the sensor highbay and zigbee control, our light is more easy to use, more flexible, and easy installation. This not only lowers the label cost, but also makes marketing more easy and provide more options to end user.



Detection




Daylight Harvesting Function




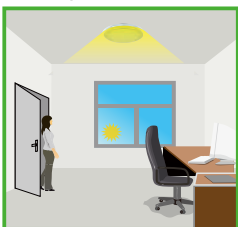
The light dims to stand-by period after hold-time and stays on selected minimum dimming level.



The light switches off completely after the stand-by period.

Setting on this demonstration:
 BRIGHTNESS: 100%
 SENSITIVITY: 100%
 HOLD TIME: 30MIN
 DAYLIGHT SENSOR: 
 STAND BY DIM: 30%
 STAND BY TIME: 1MIN

Open the daylight harvesting function only by choosing “” button when remote control is in setting condition. Memory and maintain current ambient brightness.



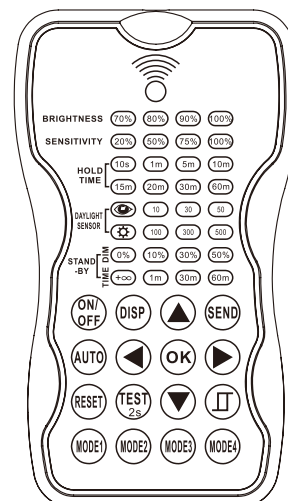
When the natural light is sufficient or dark, movement is detected and the light will turn on 100% brightness.



The light turns on at full or dims to maintain the lux level. The light output regulates according to the level of natural light available.

Re-programmable

Fixed on up to 12 meters after installation, the high bay will be not easy to adjust the working program. But the user may not satisfied with the performance and sensitivity or Dim level is needed to adjust for different season. In order to make the extra work easy and no machines are needed, one remote control is provided to re-program the sensor.



Distance range: 12m
 Battery: AAAx2



Features

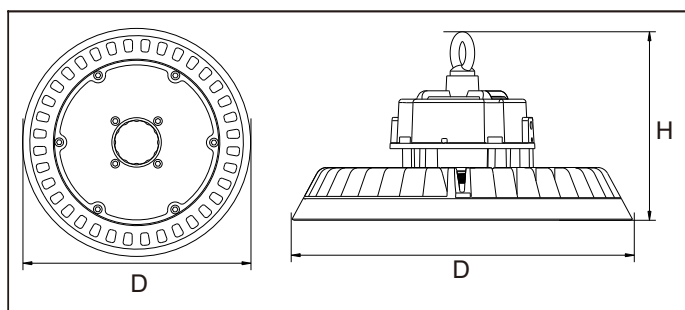
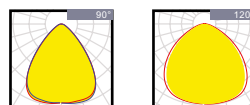
Housing: Die-cast
 Thermal Conductivity: 96 W/m·K
 Led: Philips
 CRI: Ra>80 (90 for option)
 SDCM: <6
 Power Factor: >0.95
 THD: <15
 Driver: Sosen
 Driver Efficiency: >93%
 Protection: OTP, OCP, OVP, SCP
 Surge Protection: 4KV
 Waterproof: IP65
 Impact Test: IK08
 Electrical: 100-277V, 50/60Hz
 Operating Temperature: -40~60°C
 TM21: L80B10>50,000H
 Lifetime: 50,000H



Functions

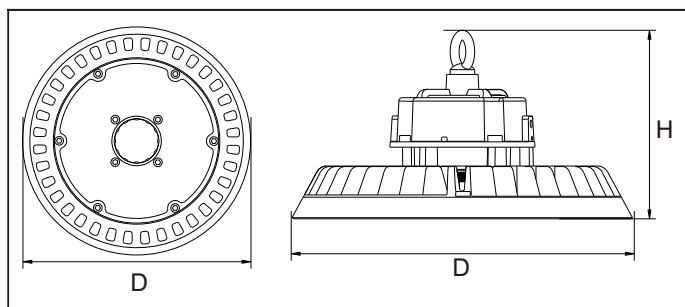
ZigBee · PWM · 0/1~10V · Micro-wave

Optical options:



Model	Watt	Voltage	Lumen	CRI	IP	Dimension
HB100CE0H-PYS	100W	100~277V	15000LM	>80	IP65	D254*H150
HB120CE2H-PYS	120W	100~277V	18000LM	>80	IP65	D309*H156
HB150CE2H-PYS	150W	100~277V	22500LM	>80	IP65	D309*H156
HB200CE4H-PYS	200W	100~277V	30000LM	>80	IP65	D354*H161

Packing



Model	Outer Carton(mm)			QTY / CTN	NW/CTN	GW/CTN
HB100CE0H-PYS	305	305	145	1	1.80	2.30
HB120CE2H-PYS	365	365	150	1	2.20	3.00
HB150CE2H-PYS	365	365	150	1	2.20	3.00
HB200CE4H-PYS	410	410	155	1	2.90	3.90