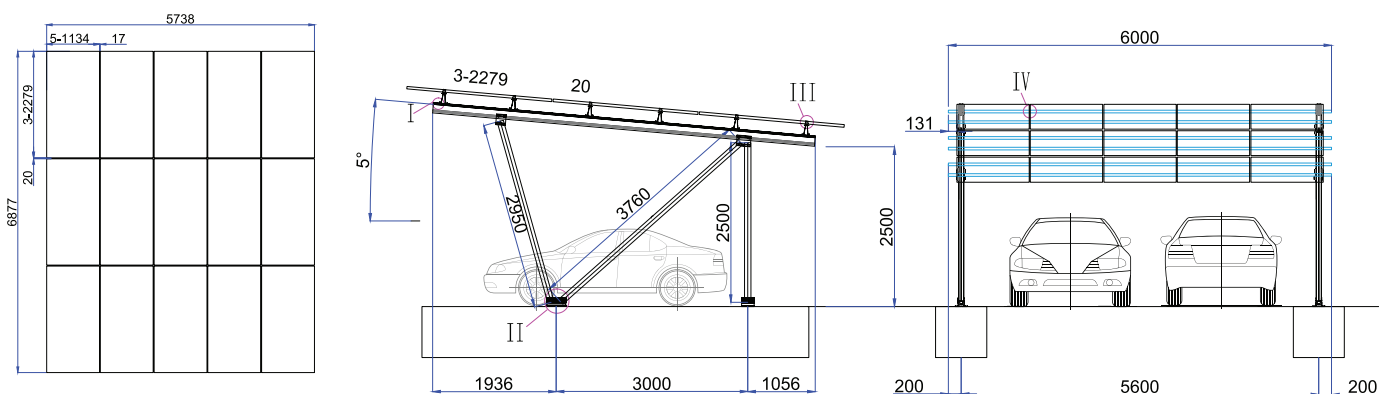




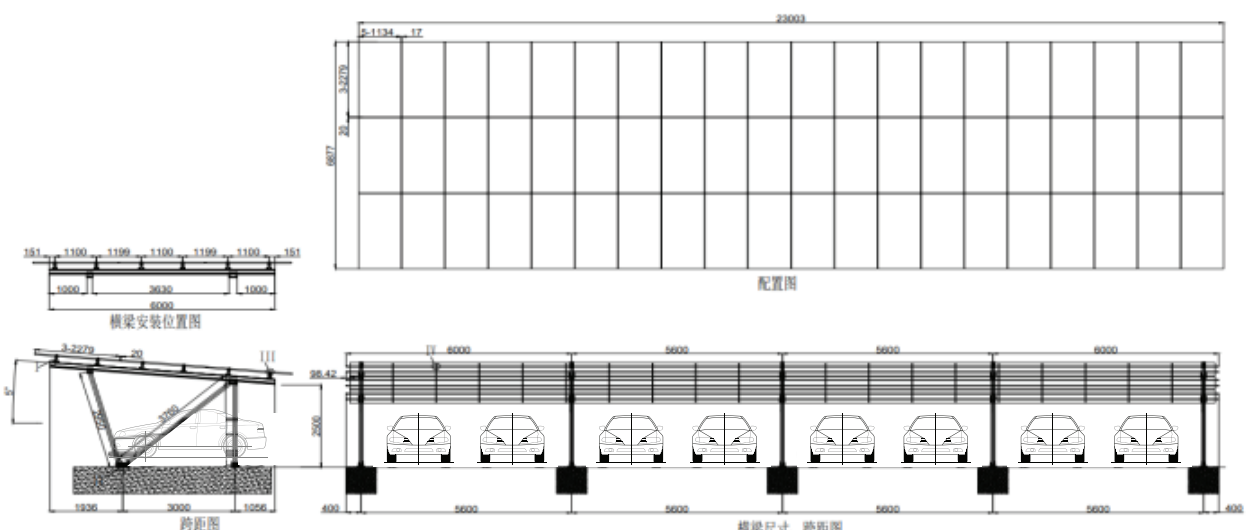
Solar carports are structures that provide shade to parked cars while also harnessing solar energy through the use of solar panels installed on the roof. They are typically constructed using sturdy material such as aluminum and are designed to withstand the weight of solar panels and other environmental factors.

The solar panels installed on the carport roof capture sunlight and convert it into electricity, which can be used to power the carport's lighting, electric vehicle charging stations, or even feed the surplus energy back into the grid.

## Carport for 2 cars



## Carport for 8 cars



## Crossbar Rail

SKU	Size	2 cars Qty	8 cars Qty
118211	6000mm	6	12



## Clamping kit

SKU	Size	2 cars Qty	8 cars Qty
118212	35mm	48	120



## Mid Clamp

SKU	Size	2 cars Qty	8 cars Qty
118213	35mm	24	114



## End Clamp

SKU	Size	2 cars Qty	8 cars Qty
118214	35mm	12	12



## Carport Stringer

SKU	Size	2 cars Qty	8 cars Qty
118215	5900mm	2	5



## H Jackets

SKU	Size	2 cars Qty	8 cars Qty
118216	150mm	2	34
118217	220mm		



## Carport Tube

SKU	Size	2 cars Qty	8 cars Qty
118218	2500mm	2	5
118219	3760mm		
118220	2950mm		



## Base

SKU	Size	2 cars Qty	8 cars Qty
118221	200mm	6	5
118222	300mm		



## Waterproof Accessories

SKU	2 cars Qty	8 cars Qty
118223	28	135

